

CURTAIN TYPE FIRE DAMPER
TYPE IBD



ELECTROVENT

CONSIDER IT DONE



APPLICATION

Electrovent IBD Curtain Fire Dampers are fire protection products used in HVAC installations to prevent the spread of fire inside ductwork through fire-resistance rated walls and floors. IBD Fire Dampers are SANS 193:2013 certified and 2-hour fire rated.



MATERIALS AND STRUCTURE

The IBD frame and interlocking blades are manufactured from galvanised steel.



OPTIONS

Every IBD is fitted with a fusible link designed to close the fire damper when duct temperature exceeds 72°C.

Blades can be installed inside the airstream (Type A) or outside of the airstream (Type B).

Blades close under gravity for vertical installation, or can be fitted with closure springs for horizontal installation in floors.

Spigots can be fitted for spiral duct installation.



STANDARD DIMENSIONS

Minimum Size: 100mm (w) x 100mm (h)

Maximum verticle size in one section
1200mm (w) x 1200mm (h)

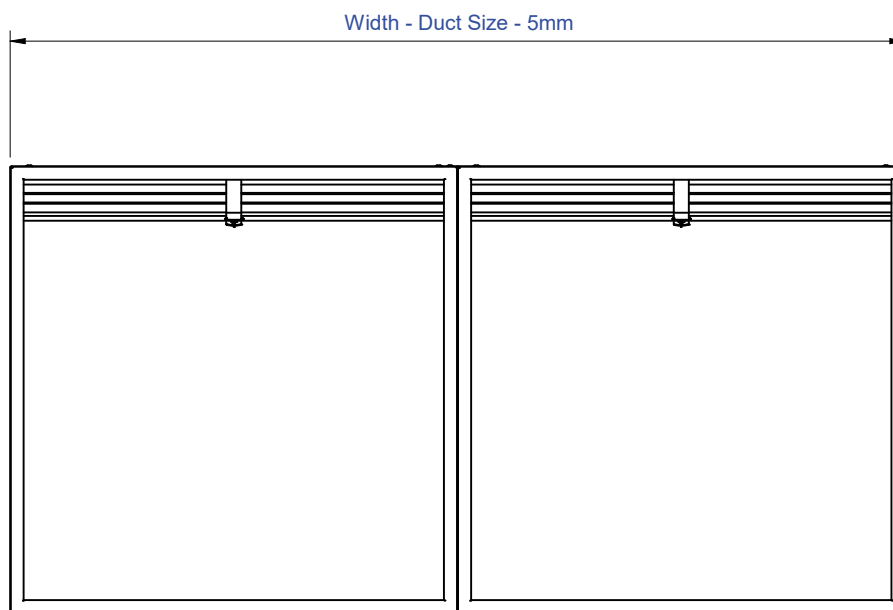
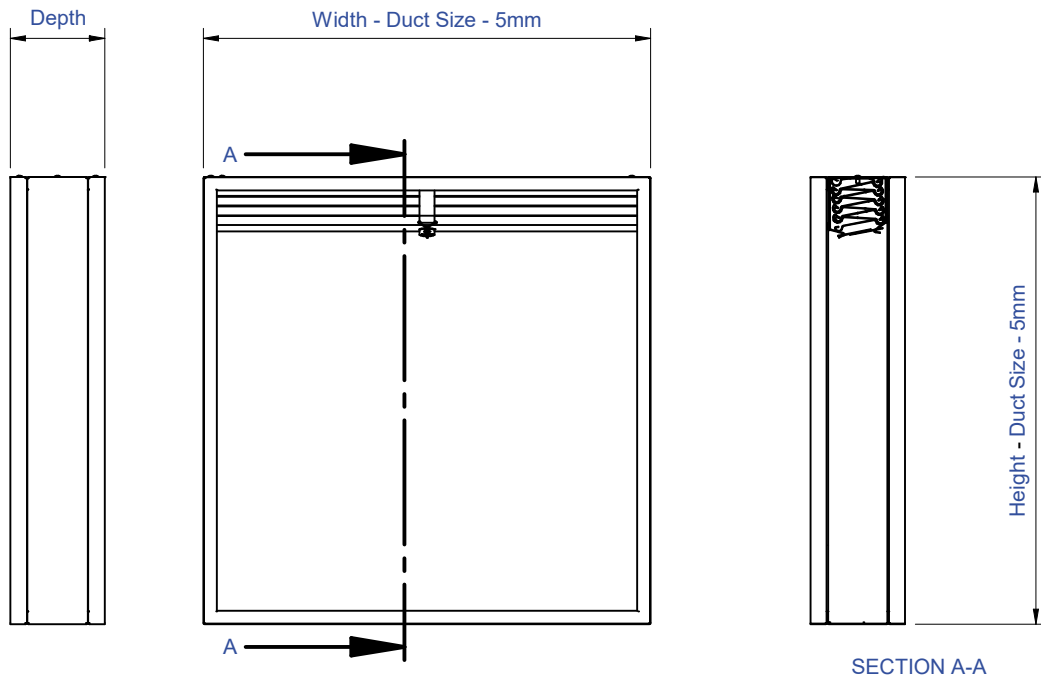
Maximum horizontal size in one section
900mm (w) x 900mm (h)

Sizes exceeding maximum are
combined in sections.

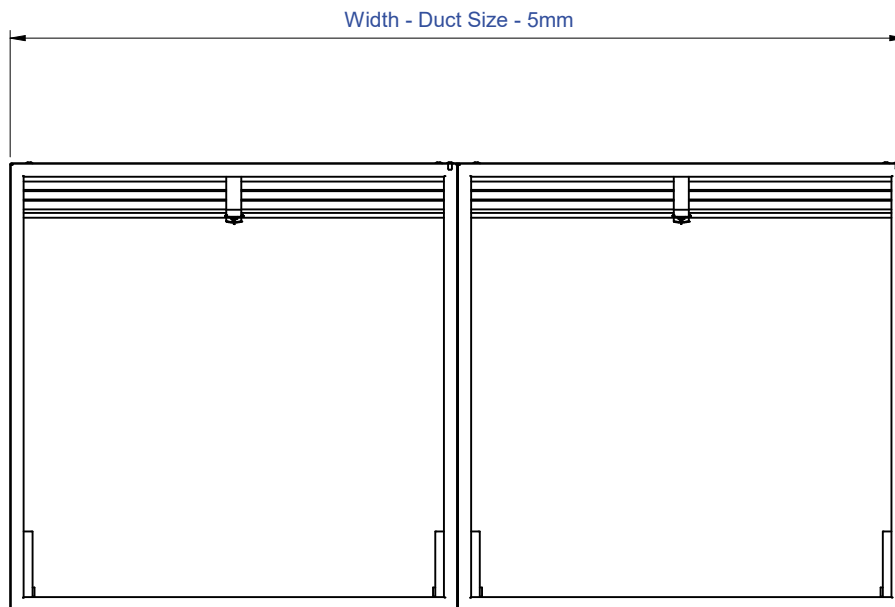
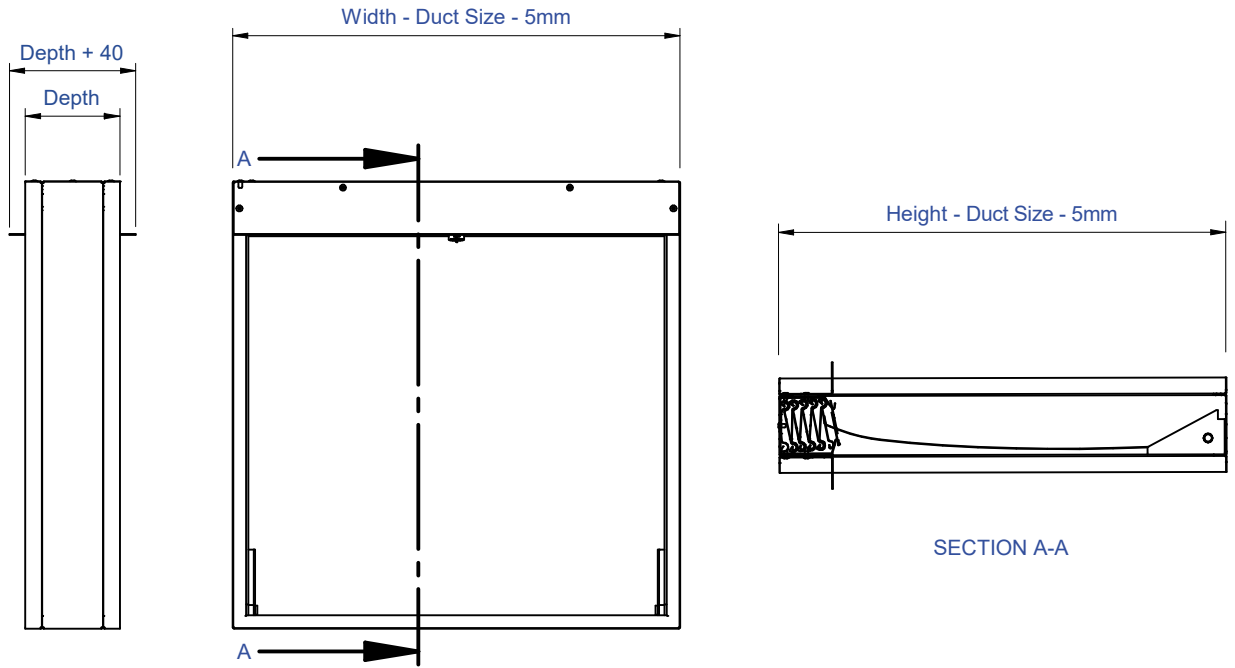
Casing depth is 125mm.

Airflow in either direction

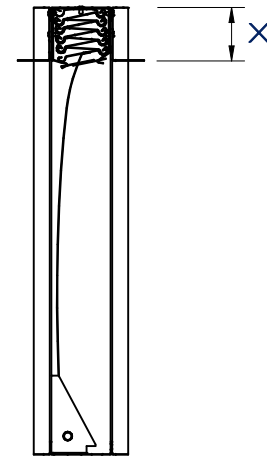
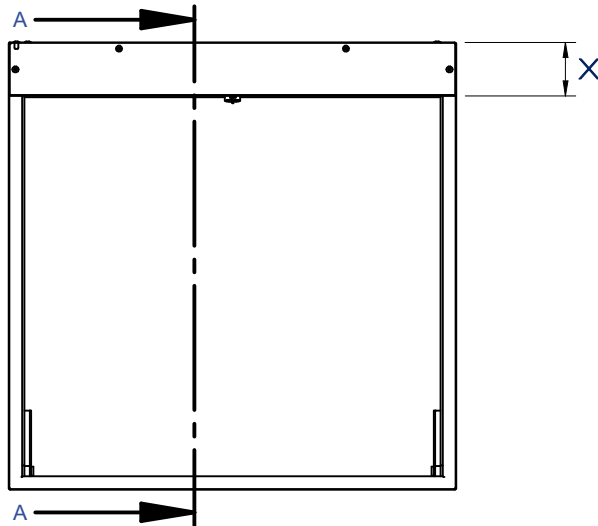
IBD DIAGRAM IN ONE OR TWO SECTIONS FOR VERTICAL INSTALLATION (IBD-V)



IBD DIAGRAM IN ONE OR TWO SECTIONS FOR HORIZONTAL INSTALLATION (IBD-H)



IBD WITH BLADES OUT OF THE AIRSTREAM BLADE CASE HEIGHT



SECTION A-A

Height of Curtain Type Fire Damper	Approximate Blade Case or Pocket outside the Airstream
mm	X
150	30
200	35
250	40
300	40
250	45
400	50
450	55
500	60
550	65
600	70
650	75
700	80
750	85
800	90
850	95
900	95
950	100
1000	105
1050	110
1100	115
1150	120
1200	125



IBD SLEEVE OPTIONS - ONLY AVAILABLE WITH BLADES IN THE AIRSTREAM



RAW EDGE



FLANGED BOTH SIDES



FLANGED ONE SIDE ONLY

IBD IN A SLEEVE (DETAILED VIEW)



RAW EDGE

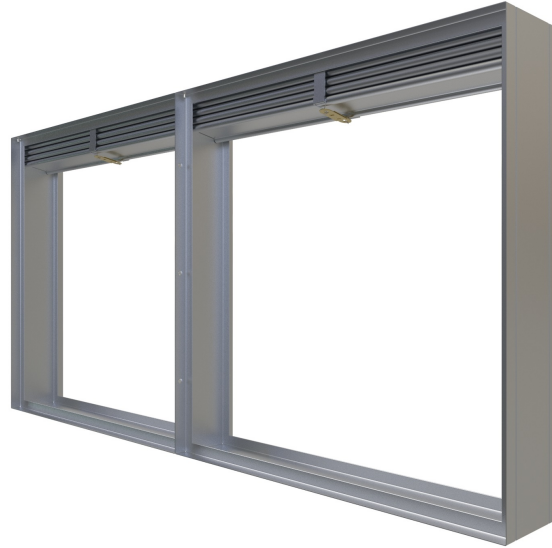


FLANGED BOTH SIDES

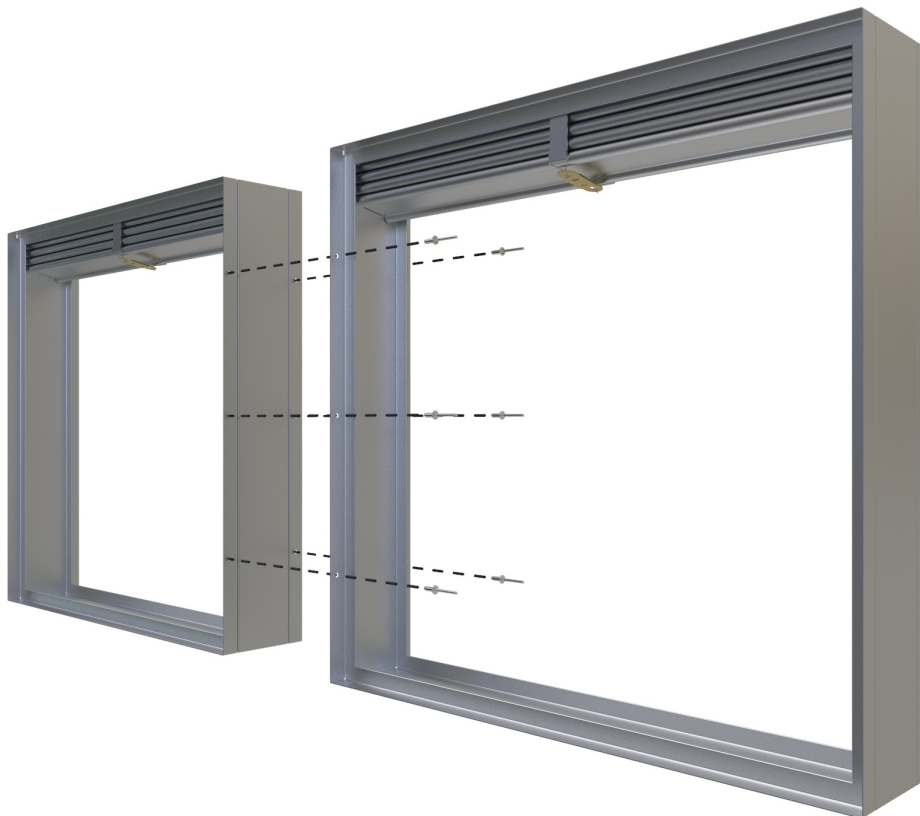


FLANGED ONE SIDE ONLY

IBD SUPPLIED IN TWO SECTIONS JOINED WITH POP RIVETS



IBD MUST BE RIVETED ON THE OUTER CASING, NOT THE INNER CASING WHICH PREVENTS BLADE CLOSURE



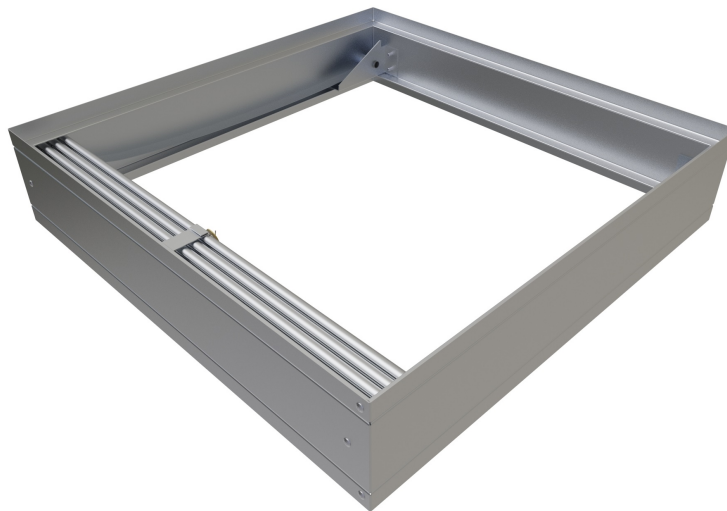
IBD BLADES IN THE AIRSTREAM



IBD BLADES OUT OF THE AIRSTREAM



IBD WITH SPRING TENSION FOR HORIZONTAL INSTALLATION



ORDERING CODE

How to generate an order code: Provide the type, model and item code as well as specific size requirements and quantity as per example: IBD-A-V / 600 x 400 x 125

Type	Model	Item Code	Width	x	Height
IBD	- A Blades in airstream	- V For Vertical installation	Max 1200mm		Max 1200mm
	- B Blades out of airstream	- H For Horizontal installation	Max 900mm		Max 900mm